

Tools Required

3 ft level, 6 ft magnetic level,
Phillips head screwdriver, Flat head screwdriver,
Electric screw gun – #3 Phillips tip recommended
for hinge screws, #2 Phillips tip recommended
for drywall screws, Tape measure, Pencil, Pry bar.
Utility knife, Hammer, Caulk gun.

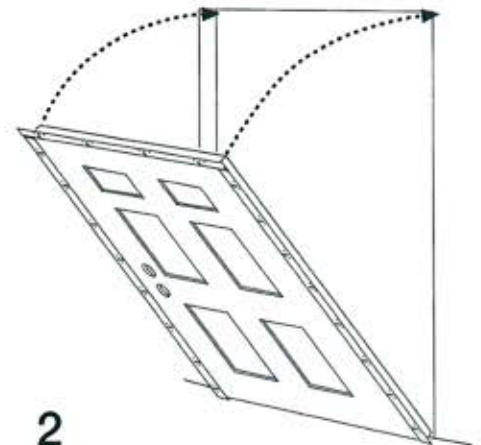
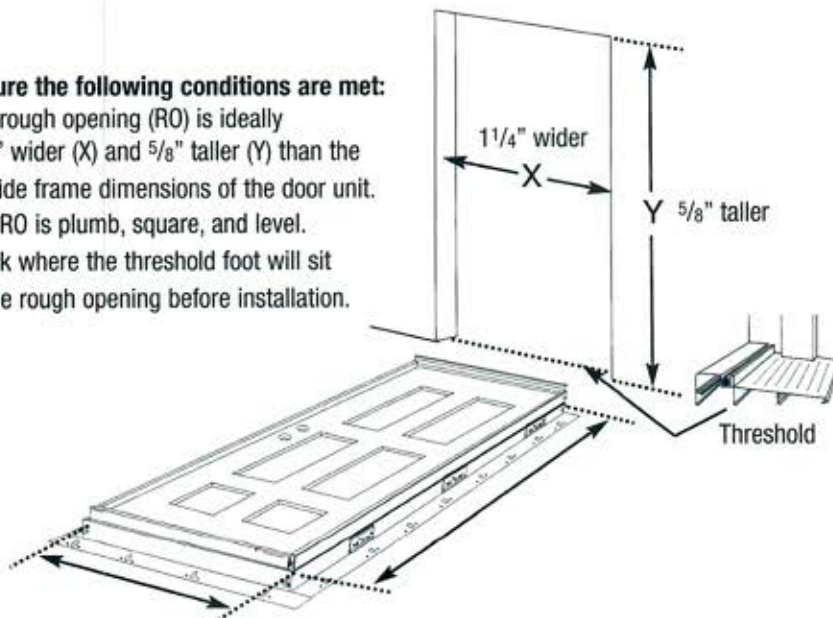
Safety Warning

AS WITH ANY BUILDING PROJECT. PLEASE USE CAUTION.
READ AND FOLLOW ALL INSTRUCTIONS AND ALWAYS USE
PROTECTIVE EYEWEAR WHEN INSTALLING A DOOR SYSTEM.

1

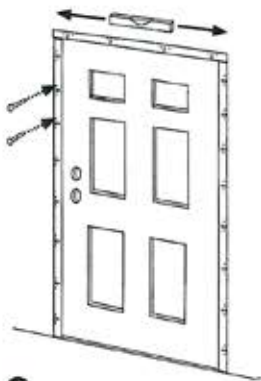
Ensure the following conditions are met:

- The rough opening (RO) is ideally $1\frac{1}{4}$ " wider (X) and $\frac{5}{8}$ " taller (Y) than the outside frame dimensions of the door unit.
- The RO is plumb, square, and level.
- Caulk where the threshold foot will sit in the rough opening before installation.



2

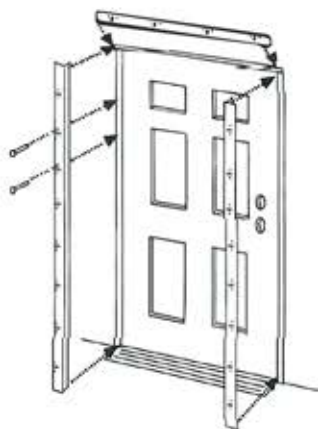
Tip complete pre-hung unit into opening,
making sure it will swing the correct direction.



3

Check margins between door and frame. Center in rough opening left to right. Level header by shimming under the threshold or the frame. Check for proper alignment and fasten with screws or nails in the holes provided. Remove pre-hang clip.

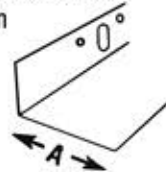
Fire Rated frames require one fastener above or below every oval slot on both sides of the frame.



4

Slide the outer L-shaped pieces (See Detail 4A) into the inner section already on the wall. Start with the header first insuring header is centered over the jamb legs and then insert outer pieces into each jamb leg. Make sure outer jamb pieces are tight to the outer head piece. Ensure each of the three pieces are snug to the wall before fastening with screws or nails in the holes provided.

Wall Sizes	A
4 1/2" - 5 1/2"	=1 7/8"
5 1/2" - 6 1/2"	=2 7/8"
6 1/2" - 7 1/2"	=3 7/8"

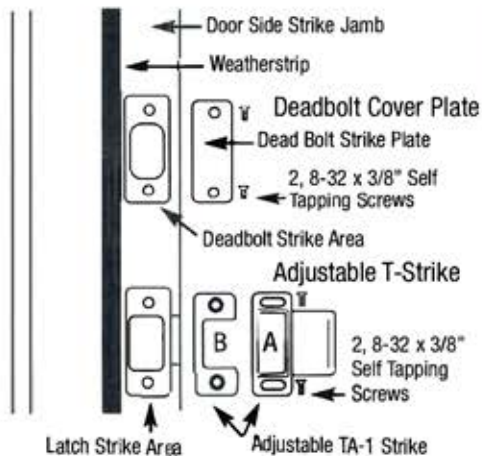


5

Apply casing to both sides. If using wood, pre-cut the pieces. Mark the location of the oval slots on each piece and fasten to the wall with the nail or screw going through the oval slot and into the framing material. If using snap-on steel casing, refer to instructions in bag with the casing clips.



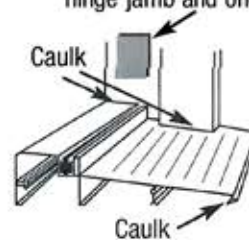
6 If weatherstrip has been removed, insert weatherstrip into the kerf provided on the jamb. Apply remainder of the hardware to finish the installation.



TA-1 Adjustable T-Strike allows up to 1/4" of adjustment to ensure compression of weatherstripping and proper door closure. When installing adjustable strike, fit plate "A" over "B" cup and screw into pre-punched holes of strike emboss; close door into opening and push "B" section inward until door fits snugly; then open the door and tighten the screws.

7 SECURITY SCREWS Installations required to comply with structural performance rating will need #10 x 2" security screws. Two installed in the deadbolt and one in each hinge leaf.

8 Apply corner seals. One required on hinge jamb and one required on strike jamb. Caulk the exterior of the unit around the molding, at the base of the frame and along the threshold to prevent moisture from penetrating into the building.



9 FIRE-RATED FRAME PRECAUTIONS If the frame is fire-rated, **DO NOT REMOVE THE FIRE LABEL.** For field painting you can paint over the removable laminate strip on the label or mask off the label and remove the mask after painting.

10 PAINTING INSTRUCTIONS It is important to follow the door manufacturer's paint procedures when finishing the door and frame.

Steel door frames should be wiped clean with a solvent such as acetone or mineral spirits. Allow the cleaning solvent to dry completely - until there is no residual odor. Once wiped clean, the frame must be lightly sanded with a 220-grit sandpaper. After sanding, the door frame must be washed with a mild detergent in warm soapy water, rinsed, and then dried. Use exterior, high quality, oil-based or 100% acrylic water based latex paint on the exterior of the frame. Do not paint the weatherstrip. High quality interior paint can be used on the interior surface of the frame only.

To maintain product warranty: Paint the frame within 45 days of installation. Repainting every one to seven years will be required, depending upon weather exposure.